



### Ranges

-30° C to 50° C  
0° C to 60° C  
0° C to 120° C

### Description

Offering a range of thermometers that are designed for the installation of pipes, vessels and mechanical plant services. Robust and reliable – bimetallic thermometers are optimally suited as measuring instruments in industrial environments. Designed for applications and use according to European Standard BS EN13190.

These thermometers all have °C and °F dual scale dials.

Well suited and designed for the HVAC markets in the UK and Europe.

### Please Note

**All Series TG2007 are supplied complete with matched pocket.**

## Bi-Metal Temperature Gauge-HVAC Specification

- 63 - 160mm Back and Bottom Stem
- Accuracy Class 2
- All Supplied with Standard Pocket
- -30°C to 250°C
- Dual Scale in Centigrade and Fahrenheit



### Description

A Bimetal Thermometer specifically designed for heating and ventilation, mechanical services and air conditioning markets. These thermometers are designed for applications and use according to European Standards BS EN13190 : 2003



### Beschreibung

Ein Bimetall-Thermometer, das speziell für die Märkte Heizung und Lüftung, mechanische Dienstleistungen und Klimaanlage entwickelt wurde. Diese Thermometer sind für Anwendungen und Verwendung gemäß den europäischen Normen BS EN13190: 2003 ausgelegt



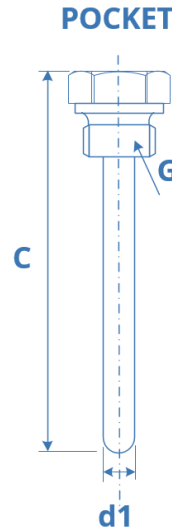
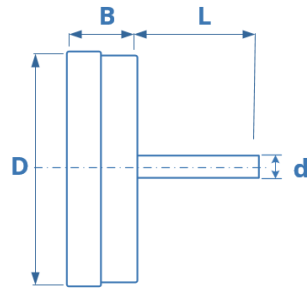
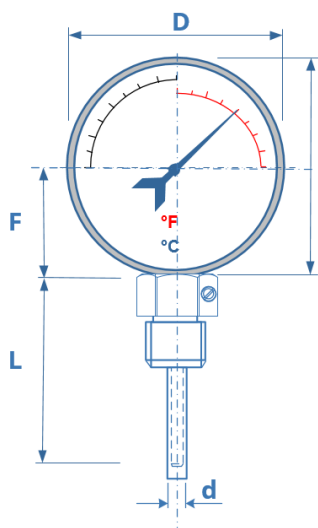
### Descripción

Un termómetro Bimetal específicamente diseñado para calefacción y ventilación, servicios mecánicos y mercados de aire acondicionado. Estos termómetros están diseñados para aplicaciones y uso de acuerdo con las normas europeas BS EN13190: 2003



### Description

Un thermomètre bimétallique spécialement conçu pour les marchés du chauffage et de la ventilation, des services mécaniques et de la climatisation. Ces thermomètres sont conçus pour des applications et des utilisations conformes aux normes européennes BS EN13190: 2003



Attribute	Value
Nominal Size	63mm, 100mm and 160mm back and bottom
Accuracy	BS EN13190 - Class 2
Series	TG2007
Scales	°C Only (Black) and °F Red
Ranges	-30 / 50°C, 0 / 60°C, 0 / 120°C
Mounting Options	Bottom and Center Back
Ingress Protection	IP 40 as per EN 60529
Case	Black Enameled case
Window	Instrument Galss
Movement	Precision bimetal spiral movement
Pointer	Black - Aluminium
Dial	Aluminium - White
Thermometer Stem	316 Stainless steel 6mm diameter x 49 and 100mm
Pocket	Brass - 1/2" BSPP x 50 mm including Thread Brass - 1/2" BSPP x 100 mm including Thread
External Tube	12.5 mm x 7mm internal

All Series TG2007 are supplied complete with matched pocket.

Other pocket material options include:

Stainless steel:  
304 or 316  
Lengths: 50mm, 100mm

63mmsupplied with a 1/2" BSPP, 9mm one piece brass machined pocket

100mm supplied with a 1/2" BSPP, 9mm one piece brass machined pocket

160mm supplied with a 1/2" BSPP, 9mm one piece brass machined pocket

**Ranges**  
-30° C to 50° C  
0° C to 60° C  
0° C to 120° C

### Gauge Dimensions in mm

Size	D	F	L	B	d	Weight g
63	66	32	47	38	6	300
100	108	55	98	50	6	400
160	170	85	155	60	6	400

### Pocket Dimensions in mm

Size	G	C	d1	Mat	Weight g
63	1/2" BSPP	50mm and 100mm including thread	9	Brass w ith Stainless options	60g and 98g
100	1/2" BSPP		9		
160	1/2" BSPP		9		