



Description

With stainless steel 316L internals and wetted parts, make this gauge more resistant to corrosive or high temperature (150°C) substances entering the gauge. The perfect all stainless steel process pressure gauge. For the measurement of fluid liquids that are not:-

- Highly viscous
- High temperature (over 150°C)
- Likely to solidify/crystallize.

Also suitable for gases (excluding oxygen or acetylene) up to 25 bar maximum. For measurement of extremely aggressive and/or highly viscous substances please see our Diaphragm / Hygienic Seals category. These gauges are designed for applications and use according to European Standard EN837-1

40mm-63mm face Accuracy 1.6% - Crimped Bezel
100mm - 160mm face Accuracy 1% - flush /lipped Bezel -
Rear Safety Blow Out Disc

All Stainless Steel Back Entry Pressure Gauge

- 40 - 160mm Diameter
- Dual Scale bar and psi
- Back Mounted
- Temperature 150°C
- Stainless Steel Wetted Parts AISI 316L



Description

Stainless steel pressure gauges with AISI 316L wetted parts and 304 case. Polycarbonate Window 40-63mm and laminated glass 100-160mm. For the measurement of fluid liquids. Typical applications include: Food/Drink, Pharmaceutical, Petrochemical and Process.



Beschreibung

Manometer aus Edelstahl mit befeuchteten Teilen aus AISI 316L und Gehäuse aus Edelstahl. Polycarbonat Fenster 40-63mm und Verbundglas 100-160mm. Zur Messung von flüssigen Flüssigkeiten. Typische Anwendungen sind: Lebensmittel / Getränke, Pharmazeutika, Petrochemie und Verfahren.



Descripción

Manómetros de acero inoxidable con partes húmedas AISI 316L y caja 304. Ventana de policarbonato 40-63 mm y vidrio laminado 100-160 mm. Para la medición de líquidos fluidos. Las aplicaciones típicas incluyen: alimentos / bebidas, productos farmacéuticos, productos petroquímicos y procesos.

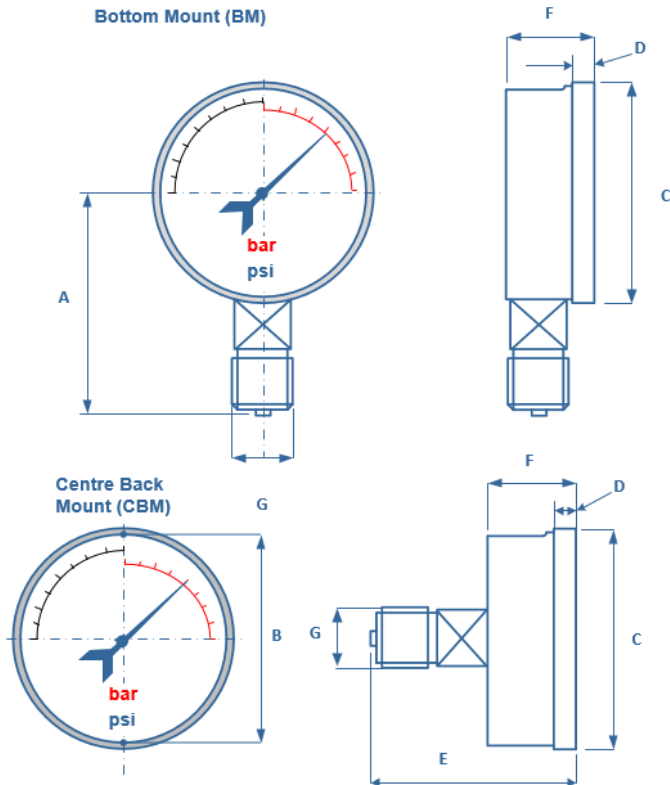


Description

Manomètres en acier inoxydable avec pièces en contact avec le fluide AISI 316L et boîtier 304. Fenêtre en polycarbonate 40-63mm et verre feuilleté 100-160mm. Pour la mesure des liquides fluides. Les applications typiques incluent: Nourriture / Boisson, Pharmaceutique, Péโตรchimie et Process.

Options

Glycerine fill
 Material Certs
 Test Certs



Attribute	Value
Window	40mm - Instrument Glass Crystal clear 50mm, 63mm Polycarbonate Crystal Clear 100mm, 160mm Laminated Safety Glass
Pressure Element	40mm 316L Stainless Steel - Sealed Bourdon Tube C-Type 50mm, 63mm, 100mm, 160mm 316L Stainless Steel - Sealed Bourdon tube C-Type <100 BAR Coiled Type >100 BAR
Joints	Welded 316L Stainless Steel
Movement	High Precision Stainless Steel
Process Connection	40mm SS316L - 1/8" BSP (parallel) male (standard) 50mm, 63mm SS316L - 1/8" BSP (parallel) male (standard) SS316L - 1/4" BSP (parallel) male (standard) 100mm, 160mm SS316L - 3/8", 1/2" BSPP,
Pointer	40mm, 50mm, 63mm Aluminium - Black 100mm, 160mm Micro Adjustable - Aluminium Black
Dial	Aluminium - White
Operating Temperature	All gauges Ambient: -20/+60°C Medium: +150°C maximum



40mm-63mm Crimped Bezel



100mm Removable Bezel

Dimensions in mm								
Size	A	B	C	D	E	F	G	Weight g
40	25	40	46	4	44	54	1/8 T	90
50	30	50	57	5	54	72	1/8, 1/4 P	135
63	30	63	68	6	57	80	1/4, 3/8 P	155
100	82	95	108	7	80	35	1/2, 3/8 P	508
160	120	144	160	12	115	50	1/2, 3/8 P	1.2



160mm Removable Bezel