

Back Connection



Glycerine Filled Pressure Gauge, Stainless Steel Case

- 40 - 160mm Diameter
- Dual Scale bar and psi
- Back Mounted
- -20°C to 60°C
- Stainless Case - Bronze/Brass Internals

**Description**

A standard hydraulic pressure gauge with crimped bezel and stainless steel case. Plastic window, brass/bronze wetted parts. A perfect liquid filled gauge that offers value for money, repeatability and long life.

**Beschreibung**

Ein Standard-Hydraulikmanometer mit vercrimpter Lünette und Edelstahlgehäuse. Kunststofffenster, Messing / Bronze benetzte Teile. Eine perfekte, flüssigkeitsgefüllte Anzeige, die ein gutes Preis-Leistungs-Verhältnis, Wiederholbarkeit und lange Lebensdauer bietet.

**Descripción**

Un manómetro de presión hidráulica estándar con bisel prensado y caja de acero inoxidable. Ventana de plástico, partes de latón / bronce mojado. Un medidor lleno de líquido perfecto que ofrece una gran relación calidad-precio, repetibilidad y larga duración.

**Description**

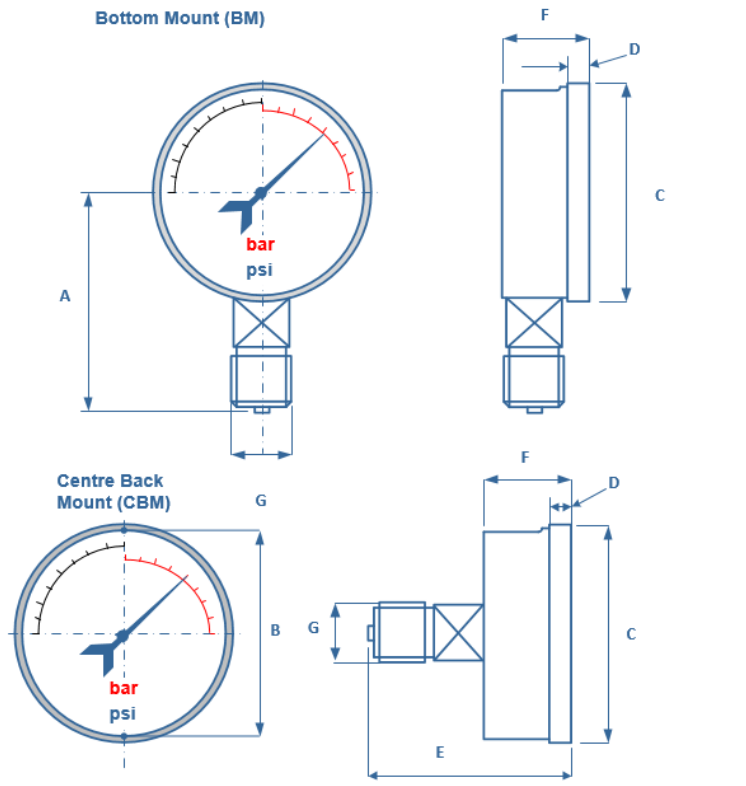
Un manomètre hydraulique standard avec lunette sertie et boîtier en acier inoxydable. Fenêtre en plastique, pièces en laiton / bronze en contact avec le fluide. Une jauge remplie de liquide parfaite qui offre un bon rapport qualité / prix, une répétabilité et une longue durée de vie.

Description

A stainless steel cased, liquid (glycerine) filled pressure gauge for applications where oscillating/surging pressures or vibration are present. This is due to the damping effect of the gauge where it steadies the read out making it much easier to get an accurate read out. Please note that the glycerine filled gauge is for liquids that are not:

- Highly viscous
- High temperature (over 60°C)
- Likely to solidify/crystallize
- Corrosive to copper or tin alloys.

Also suitable for gases (excluding oxygen or acetylene) up to 25 bar maximum.



40mm-63mm 100mm 160mm

Dimensions in mm								
Size	A	B	C	D	E	F	G	Weight g
40	25	40	46	4	44	54	1/8 T	90
50	30	50	57	5	54	72	1/8, 1/4 P	135
63	30	63	68	6	57	80	1/4, 3/8 P	155
100	82	95	108	7	80	35	1/2, 3/8 P	508
160	120	144	160	12	115	50	1/2, 3/8 P	1.2

Attribute	Value
Nominal Size	40mm, 50mm, 63mm, 100mm and 160mm
Accuracy	40mm, 50mm and 63mm at +/- 2.5%, 100mm at +/-1.6% and 160mm at +/- 1%
sku	GLY
Scales	PSI Outer (Black) & BAR Inner (Red) - Pressure
	'HG Outer (Black) & BAR Inner (Red) - Vacuum
	HG+PSI Outer (black) & BAR Inner (red) - Compound
Ranges	-30/0"HG Vacuum to 0/4000 PSI Pressure
	-30"HG/+30 PSI Compound
Mounting Options	Bottom and Back
Operating Temperatures	Ambient: -20/+60°C Medium: +60°C maximum
Temperature Effect	Variation in indication caused by temperature
	$\pm 0.04 \times (t_2 - t_1)\%$ of the span
	t1 is the reference ambient temperature in °C
	t2 is the ambient temperature in °C
Ingress Protection	IP 40 as per EN 60529
Case	304 Stainless Steel
Window	40mm, 50mm, 63mm and 100mm: Polycarbonate - Crystal Clear
	160mm: Laminated Safety Glass
Pressure Element	CU Alloy - Sealed Bourdon tube
	C-type < 100 BAR Coiled Type > 100 BAR
Joints	Soldered with tin alloy
Movement	High Precision Brass
Process Connection Block	40mm 1/8" BSPT male, 11mm Hex Block
	50mm 1/8" BSP m, 1/4" BSP m, 14mm Hex block
	63mm 1/4" BSP, 1/4 NPT, 14mm Hex Block
	100/150mm 3/8"BSP, 1/2"BSP, 22mm Hex Block
Pointer	Aluminium - Black
Dial	Aluminium - White

For the measurement of fluid liquids that are not highly viscous, high temperature (over 60C) likely to solidify / crystallise or corrosive to copper or tin alloys.
Gauge suitable for gases (excluding oxygen or acetylene) up to 25 bar maximum.