



Description

With stainless steel 316L internals and wetted parts, make this gauge more resistant to corrosive or high temperature (150°C) substances entering the gauge. The perfect all stainless steel process pressure gauge. For the measurement of fluid liquids that are not:-

- Highly viscous
- High temperature (over 150°C)
- Likely to solidify/crystallize.

Also suitable for gases (excluding oxygen or acetylene) up to 25 bar maximum. For measurement of extremely aggressive and/or highly viscous substances please see our Diaphragm / Hygienic Seals category. These gauges are designed for applications and use according to European Standard EN837-1

40mm-63mm face Accuracy 1.6% - Crimped Bezel
100mm - 160mm face Accuracy 1% - flush /lipped Bezel -
Rear Safety Blow Out Disc

All Stainless Steel Bottom Entry Pressure Gauge

- 40 - 160mm Diameter
- Dual Scale bar and psi
- Bottom Mounted
- Temperature 150°C
- Stainless Steel Wetted Parts AISI 316L



Description

Stainless steel pressure gauges with AISI 316L wetted parts and 304 case. Polycarbonate Window 40-63mm and laminated glass 100-160mm. For the measurement of fluid liquids. Typical applications include: Food/Drink, Pharmaceutical, Petrochemical and Process.



Beschreibung

Manometer aus Edelstahl mit befeuchteten Teilen aus AISI 316L und Gehäuse aus Edelstahl. Polycarbonat Fenster 40-63mm und Verbundglas 100-160mm. Zur Messung von flüssigen Flüssigkeiten. Typische Anwendungen sind: Lebensmittel / Getränke, Pharmazeutika, Petrochemie und Verfahren.



Descripción

Manómetros de acero inoxidable con partes húmedas AISI 316L y caja 304. Ventana de policarbonato 40-63 mm y vidrio laminado 100-160 mm. Para la medición de líquidos fluidos. Las aplicaciones típicas incluyen: alimentos / bebidas, productos farmacéuticos, productos petroquímicos y procesos.

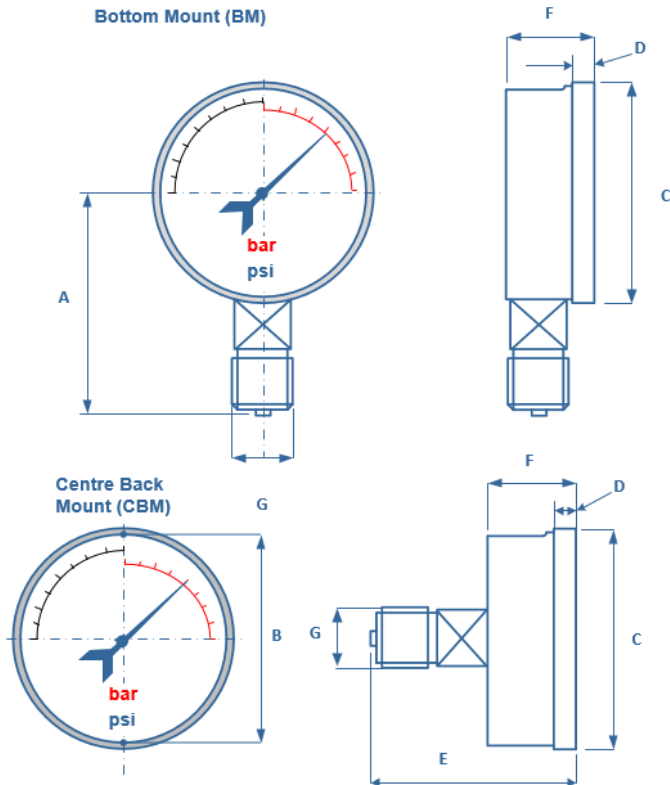


Description

Manomètres en acier inoxydable avec pièces en contact avec le fluide AISI 316L et boîtier 304. Fenêtre en polycarbonate 40-63mm et verre feuilleté 100-160mm. Pour la mesure des liquides fluides. Les applications typiques incluent: Nourriture / Boisson, Pharmaceutique, Pétrochimie et Process.

Options

Glycerine fill
 Material Certs
 Test Certs



| Attribute | Value |
|-----------------------|---|
| Window | 40mm - Instrument Glass Crystal clear 50mm, 63mm Polycarbonate Crystal Clear 100mm, 160mm Laminated Safety Glass |
| Pressure Element | 40mm 316L Stainless Steel - Sealed Bourdon Tube C-Type 50mm, 63mm, 100mm, 160mm 316L Stainless Steel - Sealed Bourdon tube C-Type <100 BAR Coiled Type >100 BAR |
| Joints | Welded 316L Stainless Steel |
| Movement | High Precision Stainless Steel |
| Process Connection | 40mm SS316L - 1/8" BSP (parallel) male (standard) 50mm, 63mm SS316L - 1/8" BSP (parallel) male (standard) SS316L - 1/4" BSP (parallel) male (standard) 100mm, 160mm SS316L - 3/8", 1/2" BSPP, |
| Pointer | 40mm, 50mm, 63mm Aluminium - Black 100mm, 160mm Micro Adjustable - Aluminium Black |
| Dial | Aluminium - White |
| Operating Temperature | All gauges Ambient: -20/+60°C Medium: +150°C maximum |



40mm-63mm Crimped Bezel



100mm Removable Bezel

Dimensions in mm

| Size | A | B | C | D | E | F | G | Weight g |
|------|-----|-----|-----|----|-----|----|------------|----------|
| 40 | 25 | 40 | 46 | 4 | 44 | 54 | 1/8 T | 90 |
| 50 | 30 | 50 | 57 | 5 | 54 | 72 | 1/8, 1/4 P | 135 |
| 63 | 30 | 63 | 68 | 6 | 57 | 80 | 1/4, 3/8 P | 155 |
| 100 | 82 | 95 | 108 | 7 | 80 | 35 | 1/2, 3/8 P | 508 |
| 160 | 120 | 144 | 160 | 12 | 115 | 50 | 1/2, 3/8 P | 1.2 |



160mm Removable Bezel