



Glycerine Filled Pressure Gauge, Stainless Steel Case

- 40 - 160mm Diameter
- Dual Scale bar and psi
- Bottom Mounted
- -20°C to 60°C
- Stainless Case - Bronze/Brass Internals



Description

A standard hydraulic pressure gauge with crimped bezel and stainless steel case. Plastic window, brass/bronze wetted parts. A perfect liquid filled gauge that offers value for money, repeatability and long life.



Beschreibung

Ein Standard-Hydraulikmanometer mit vercrimpter Lünette und Edelstahlgehäuse. Kunststofffenster, Messing / Bronze benetzte Teile. Eine perfekte, flüssigkeitsgefüllte Anzeige, die ein gutes Preis-Leistungs-Verhältnis, Wiederholbarkeit und lange Lebensdauer bietet.



Descripción

Un manómetro de presión hidráulica estándar con bisel prensado y caja de acero inoxidable. Ventana de plástico, partes de latón / bronce mojado. Un medidor lleno de líquido perfecto que ofrece una gran relación calidad-precio, repetibilidad y larga duración.



Description

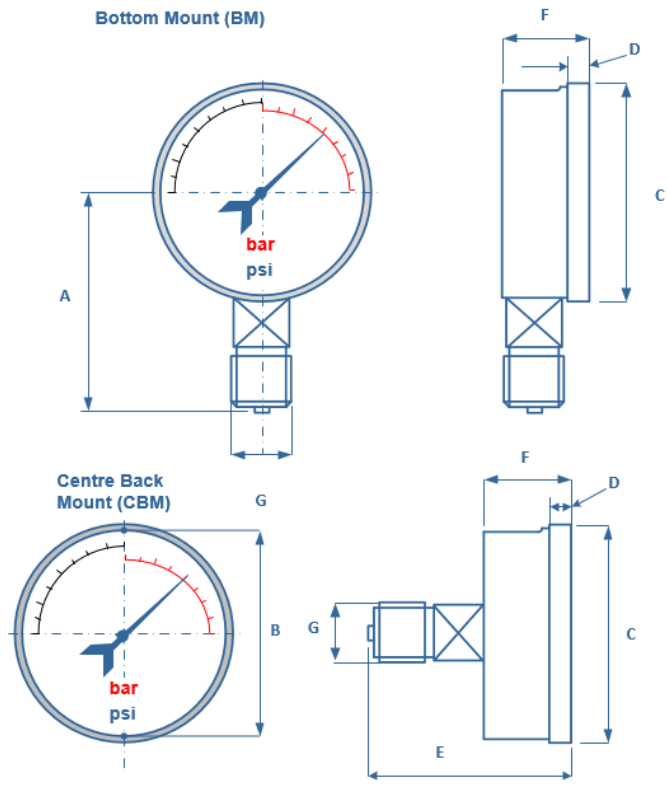
Un manomètre hydraulique standard avec lunette sertie et boîtier en acier inoxydable. Fenêtre en plastique, pièces en laiton / bronze en contact avec le fluide. Une jauge remplie de liquide parfaite qui offre un bon rapport qualité / prix, une répétabilité et une longue durée de vie.

Description

A stainless steel cased, liquid (glycerine) filled pressure gauge for applications where oscillating/surging pressures or vibration are present. This is due to the damping effect of the gauge where it steadies the read out making it much easier to get an accurate read out. Please note that the glycerine filled gauge is for liquids that are not:

- Highly viscous
- High temperature (over 60°C)
- Likely to solidify/crystallize
- Corrosive to copper or tin alloys.

Also suitable for gases (excluding oxygen or acetylene) up to 25 bar maximum.



40mm-63mm



100mm



160mm

| Dimensions in mm | | | | | | | | |
|------------------|-----|-----|-----|----|-----|----|------------|----------|
| Size | A | B | C | D | E | F | G | Weight g |
| 40 | 25 | 40 | 46 | 4 | 44 | 54 | 1/8 T | 90 |
| 50 | 30 | 50 | 57 | 5 | 54 | 72 | 1/8, 1/4 P | 135 |
| 63 | 30 | 63 | 68 | 6 | 57 | 80 | 1/4, 3/8 P | 155 |
| 100 | 82 | 95 | 108 | 7 | 80 | 35 | 1/2, 3/8 P | 508 |
| 160 | 120 | 144 | 160 | 12 | 115 | 50 | 1/2, 3/8 P | 1.2 |

| Attribute | Value |
|--------------------------|---|
| Nominal Size | 40mm, 50mm, 63mm, 100mm and 160mm |
| Accuracy | 40mm, 50mm and 63mm at +/- 2.5%, 100mm at +/-1.6% and 160mm at +/- 1% |
| sku | GLY |
| Scales | PSI Outer (Black) & BAR Inner (Red) - Pressure |
| | 'HG Outer (Black) & BAR Inner (Red) - Vacuum |
| | HG+PSI Outer (black) & BAR Inner (red) - Compound |
| Ranges | -30/0"HG Vacuum to 0/4000 PSI Pressure |
| | -30"HG/+30 PSI Compound |
| Mounting Options | Bottom and Back |
| Operating Temperatures | Ambient: -20/+60°C Medium: +60°C maximum |
| Temperature Effect | Variation in indication caused by temperature |
| | $\pm 0.04 \times (t_2 - t_1)\%$ of the span |
| | t1 is the reference ambient temperature in °C |
| | t2 is the ambient temperature in °C |
| Ingress Protection | IP 40 as per EN 60529 |
| Case | 304 Stainless Steel |
| Window | 40mm, 50mm, 63mm and 100mm: Polycarbonate - Crystal Clear |
| | 160mm: Laminated Safety Glass |
| Pressure Element | CU Alloy - Sealed Bourdon tube |
| | C-type < 100 BAR Coiled Type > 100 BAR |
| Joints | Soldered with tin alloy |
| Movement | High Precision Brass |
| Process Connection Block | 40mm 1/8" BSPT male, 11mm Hex Block |
| | 50mm 1/8" BSP m, 1/4" BSP m, 14mm Hex block |
| | 63mm 1/4" BSP, 1/4 NPT, 14mm Hex Block |
| | 100/150mm 3/8"BSP, 1/2"BSP, 22mm Hex Block |
| Pointer | Aluminium - Black |
| Dial | Aluminium - White |

For the measurement of fluid liquids that are not highly viscous, high temperature (over 60C) likely to solidify / crystallise or corrosive to copper or tin alloys.

Gauge suitable for gases (excluding oxygen or acetylene) up to 25 bar maximum.