



Description

Standard pneumatic / air gauge for panel mounting.

Black enamelled steel or Stainless steel case.

Chrome crimped bezel with plastic window.

Brass/bronze wetted parts.

Accuracy between ± 1.5 and 2.5% of full range.

Supplied complete with U style bracket on enamelled black steel.

A panel cut-out diameter of 42mm is recommended for 40mm gauge, 52 for 50mm and 63 for the 63mm gauge.

Our standard panel mounting gauges have a black enamelled metal case with chrome bezel and come complete with a U type bracket for panel mounting.

Alternatively, a stainless steel cased panel gauge is available with either a bracket or 3 hole front flange.

Panel Mountable Pressure Gauge

- 40 - 50 - 63mm Diameter
- Dual Scale bar and psi
- Back Mounted
- Brass / Bronze Wetted Parts
- Stainless Steel or Enamelled Black Steel Case



Description

A panel mounted Stainless steel black steel pressure gauge. Sizes range from 40mm up to 63mm. Bourdon tube technology. Both options have dual scale in psi and bar. Devised for standard air and pneumatic applications.



Beschreibung

Ein Panel montiert Edelstahl-Stahl-Manometer. Größen reichen von 40mm bis zu 63mm. Rohrfeder-Technologie. Beide Optionen haben eine doppelte Skalierung in psi und bar. Für Standardluft- und Pneumatikanwendungen konzipiert..



Descripción

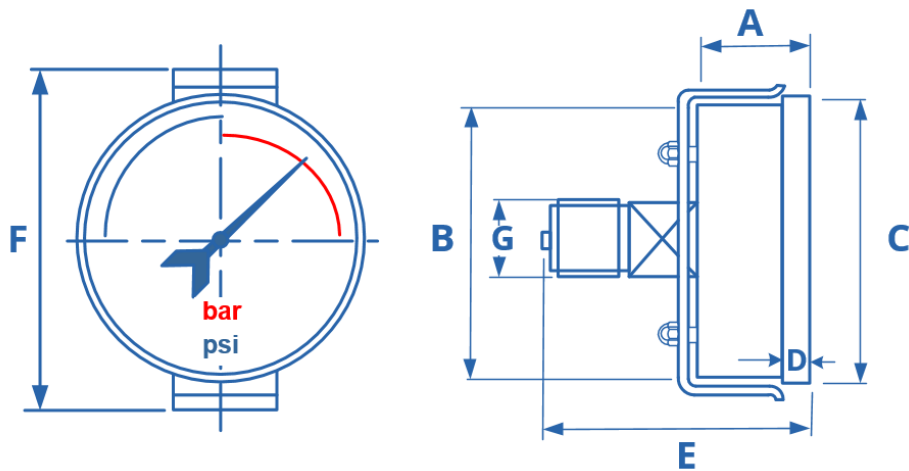
Un panel montado en acero inoxidable manómetro de acero negro. Los tamaños van desde 40 mm hasta 63 mm. Tecnología de tubo Bourdon. Ambas opciones tienen doble escala en psi y barra. Diseñado para aplicaciones de aire y neumáticas estándar..



Description

Un manomètre monté sur panneau en acier inoxydable noir. Les tailles vont de 40mm à 63mm. Technologie de tube de Bourdon. Les deux options ont une échelle double en psi et en barre. Conçu pour les applications pneumatiques et pneumatiques standard.

| Attribute | Value |
|--------------------------|--|
| Nominal Size | 40, 50 and 63mm |
| Accuracy | +/- 1.6% FSD for 63mm Chrome +/- 2.5% FSD all remaining |
| sku | DPL |
| Scales | PSI Outer (Black) & BAR Inner (Red) - Pressure 'HG Outer (Black) & BAR Inner (Red) - Vacuum |
| Ranges | -30/0'HG Vacuum to 0/1000 PSI Pressure |
| Mounting Options | Centre Back - Direct Mounting (standard) Centre Back - Panel Mounting Rear Bracket Centre Back - Panel Mounting Front 3 Hole Flange |
| Operating Temperatures | Ambient: -20/+60°C Medium: +60°C maximum |
| Temperature Effect | Variation in indication caused by temperature $\pm 0.04 \times (t_2 - t_1)\%$ of the span t1 is the reference ambient temperature in °C t2 is the ambient temperature in °C |
| Ingress Protection | IP 40 as per EN 60529 |
| Case | Enamelled Steel - Black Stainless Steel Case |
| Window | Acrylic - Crystal clear |
| Pressure Element | CU Alloy - Sealed Bourdon tube C-Type |
| Joints | Soldered with tin alloy |
| Movement | High Precision Brass |
| Process Connection Block | N/A |
| Pointer | Aluminium - Black |



Standard Gauge for air, black enamelled steel case with chrome crimped bezel, plastic window brass/bronze wetted parts. 1.6% accuracy.

Complete with U Style Bracket



Stainless Steel Gauge for Pneumatics. Stainless steel case with crimped bezel, plastic window brass/bronze wetted parts. 2.5% accuracy.

Dimensions in mm

| Case | Size | A | B | C | D | E | F | G | Weight g |
|----------------------|------|----|----|----|---|----|----|------------------|----------|
| Black Enamelled | 40 | 25 | 40 | 46 | 4 | 40 | 54 | 1/8" T | 89 |
| | 50 | 30 | 50 | 57 | 5 | 48 | 72 | 1/8" T | 147 |
| | 63 | 30 | 63 | 68 | 6 | 50 | 80 | 1/4" P | 191 |
| Stainless Steel Case | 40 | 25 | 40 | 46 | 4 | 44 | 0 | 1/8" T | 76 |
| | 50 | 30 | 50 | 57 | 5 | 54 | 0 | 1/8" P 1/4" P | 118 |
| | 63 | 30 | 63 | 68 | 6 | 57 | 0 | 1/8" P 1/4" P | 140 |