



### Description

Generally used in pneumatic applications on compressors, air lines, regulators and in HVAC industries.

This gauge is for the measurement of liquids and fluids that are NOT:

- Highly viscous
- In a high temperature setting (i.e. over 60°C)
- Likely to either solidify or crystallize or is corrosive to copper or tin alloys.

All gauge variations come with black enamelled steel case with the exception if the 80mm gauge which is black ABS plastic.

These gauges are designed for application and use according to the European standard EN837-1

## General Purpose Pressure Gauge

- 40mm, 50mm, 63mm, 100mm and 160mm Case
- Accuracy from 2.5% - 1% of full range
- Back or Bottom Mounted
- Ambient Temperature -20°C to +60°C
- 100mm & 160mm incorporates blow out back



### Description

For the measurement of fluid liquids in sizes from 40mm case up to 160mm face. Temperature Range -20°C to 60°C. The gauges are offered with a bottom or centre back connection and the pressure element is a sealed bourdon tube C type. Typical industries are for Pneumatics, Air Compressors, HVAC and the Water Industry.



### Beschreibung

Für die Messung von Flüssigkeiten in Größen von 40mm bis 160mm. Temperaturbereich -20°C bis 60°C. Die Messgeräte werden mit einer Boden- oder Mittelrückverbindung angeboten und das Druckelement ist ein abgedichteter Rohrfeder-C-Typ. Typische Industrien sind Pneumatik, Luftkompressoren, HVAC und die Wasserindustrie.



### Descripción

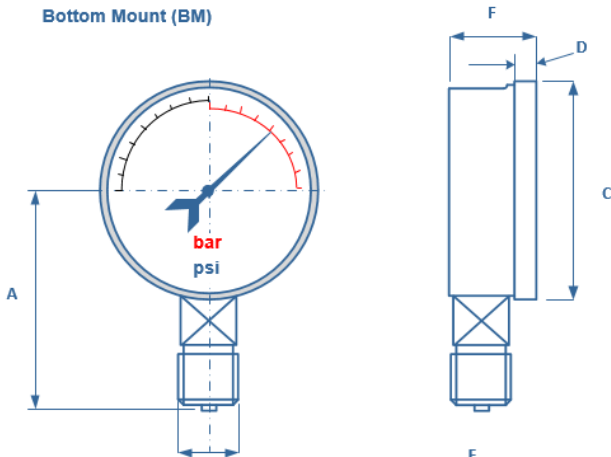
Para la medición de líquidos fluidos en tamaños desde 40 mm hasta 160 mm de cara. Rango de temperatura -20°C a 60°C. Los medidores se ofrecen con una conexión inferior o central trasera y el elemento de presión es un tipo sellado de tubo de Bourdon. Las industrias típicas son para Neumática, Compresores de aire, HVAC y la Industria del agua.



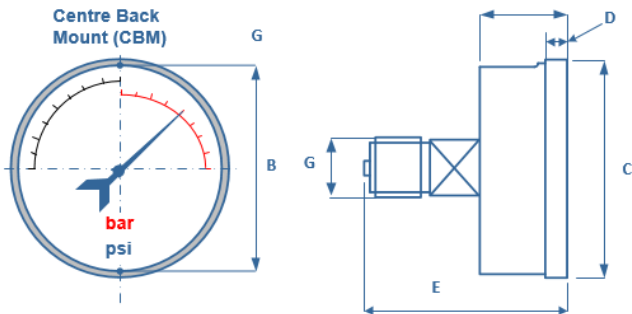
### Description

Pour la mesure de liquides fluides dans des tailles allant de 40mm à 160mm. Plage de température de -20°C à 60°C. Les jauges sont proposées avec une connexion au fond ou au centre et l'élément de pression est un tube de type bourdon scellé. Les industries typiques sont pour la pneumatique, les compresseurs d'air, le HVAC et l'industrie de l'eau.

Bottom Mount (BM)



Centre Back Mount (CBM)



Attribute	Value
Nominal Size	40mm, 50mm, 63mm, 100mm, 160mm
Accuracy	40,50mm - 2.5%, 63mm-100mm - 1.6%, 160mm 1%
Series	PG2000
Scales	PSI Outer (Black) & BAR Inner (Red) - Pressure 'HG Outer (Black) & BAR Inner (Red) - Vacuum
Ranges	-30 HG Vacuum to 0/400 PSI (28Bar) Pressure
Mounting Options	Bottom, Centre Back and Surface Mounting
Operating Temperatures	Ambient: -20/+60°C Medium: +60°C maximum
Temperature Effect	Variation in indication caused by temperature $\pm 0.04 \times (t_2 - t_1)\%$ of the span t1 is the reference ambient temp. in °C t2 is the ambient temperature in °C
Ingress Protection	IP 40 as per EN 60529
Case	Enameled Steel - Black
Window	40mm - 100mm Acrylic - Crystal clear, push fit. 160mm - Instrument Glass - Crystal clear
Pressure Element	CU Alloy - Sealed Bourdon tube C-Type
Joints	Soldered with tin alloy
Movement	High Precision Brass
Process Connection Block	See Product Selector
Pointer	Aluminium - Black
Dial	Aluminium - White

## Dimensions in mm

Size	A	B	C	D	E	F	G	Weight grams
40	38	40	42	4	40	24	1/8"	47
50	47	50	52	5	47	28	1/8", 1/4"	77
63	56	59	63	5	47	30	1/8", 1/4"	114
100	80	90	100	18	70	36	3/8", 1/2"	307
160	120	144	160	18	95	50	3/8", 1/2"	855